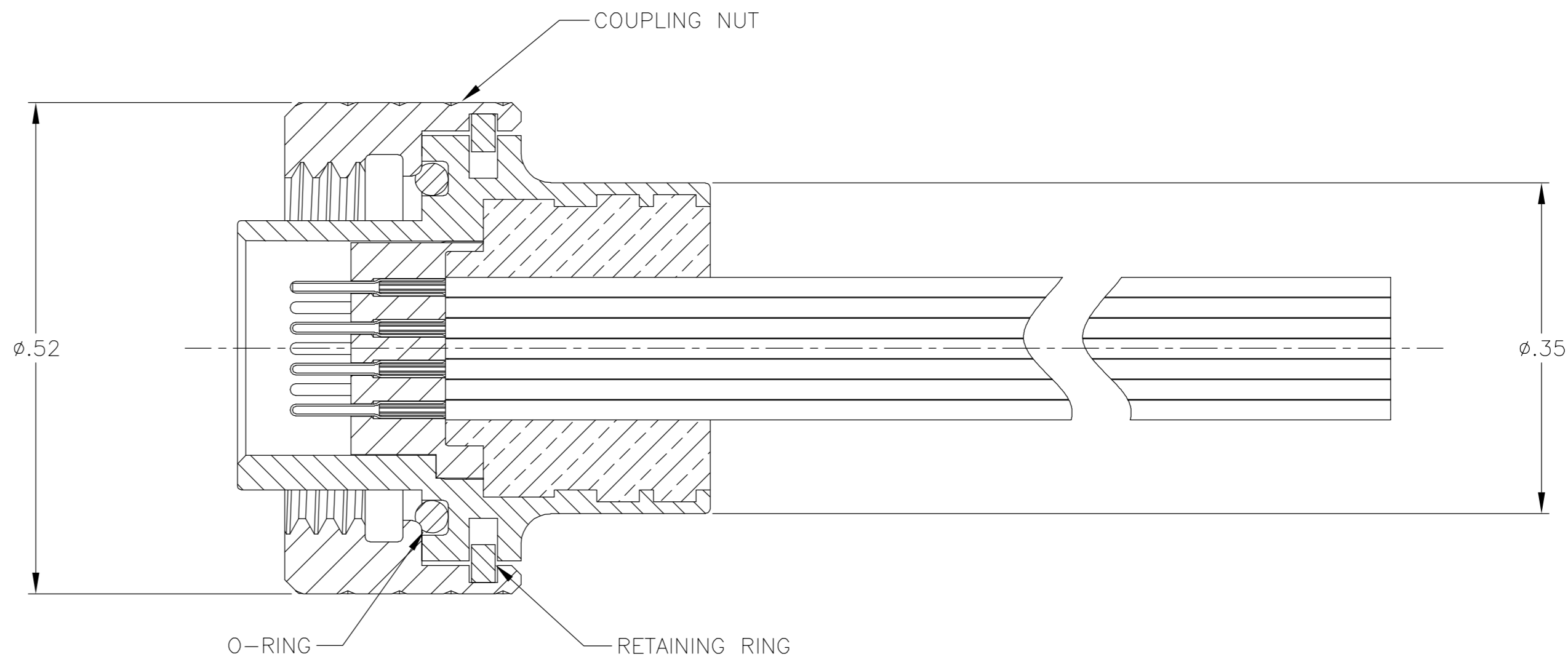
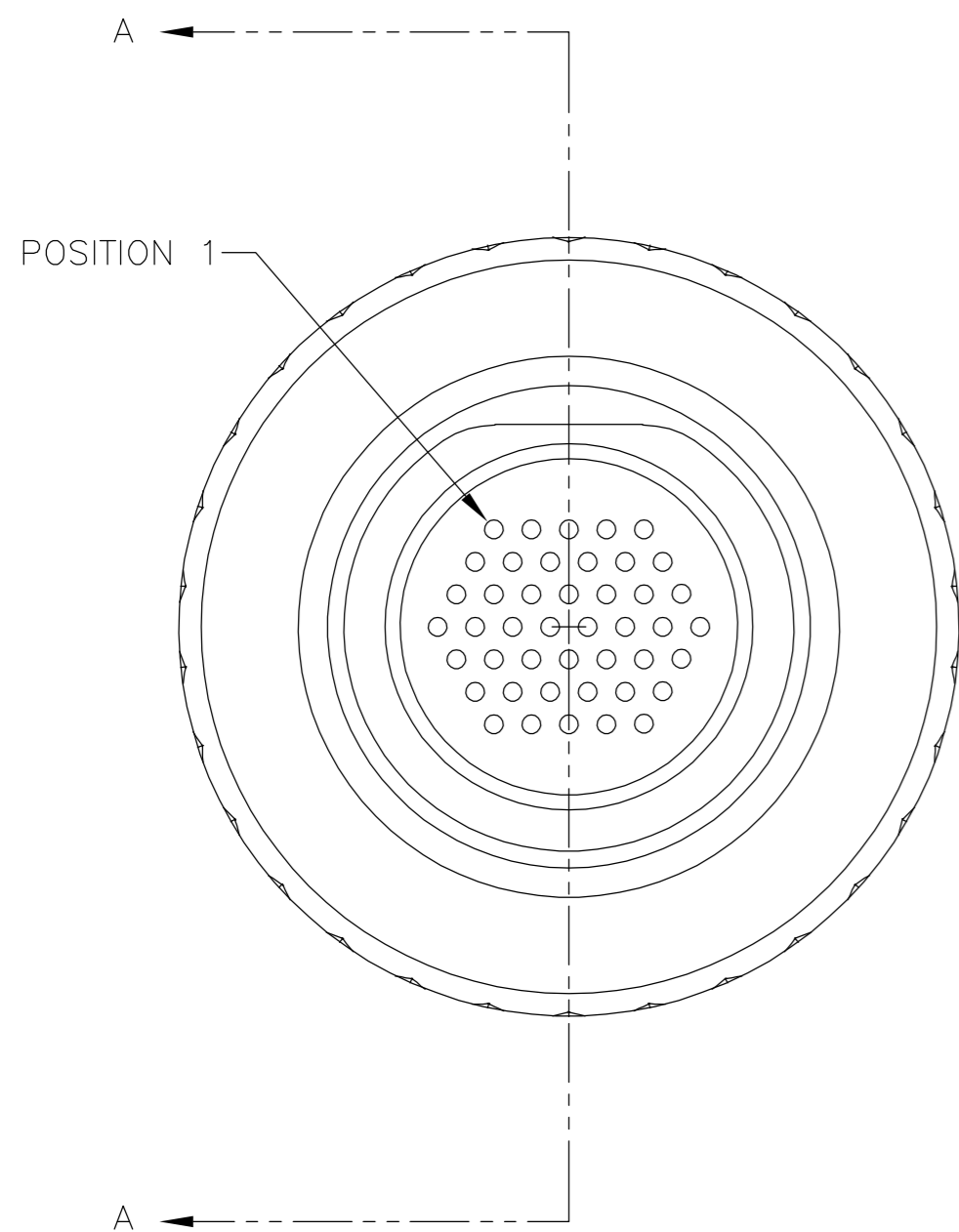
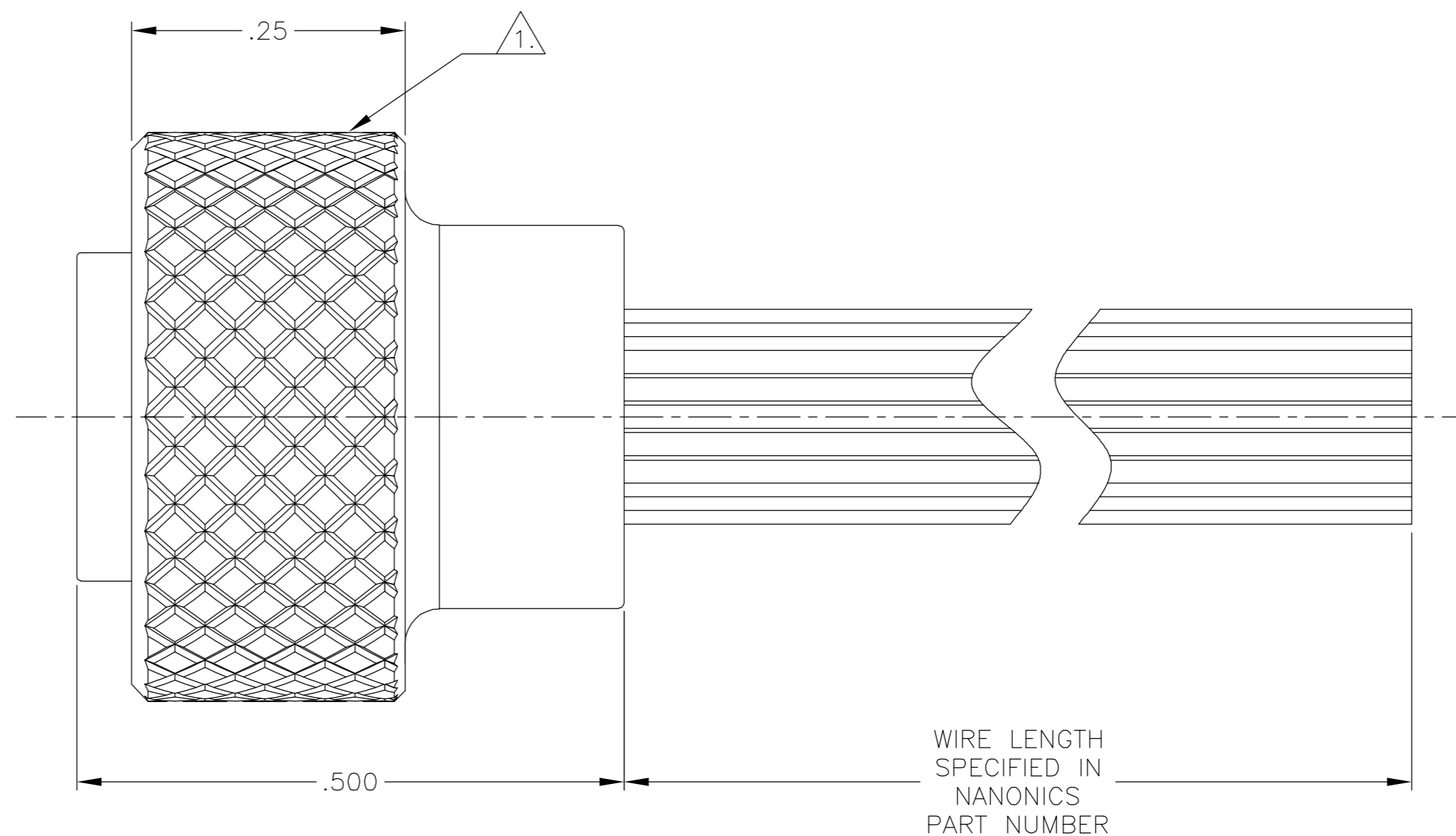
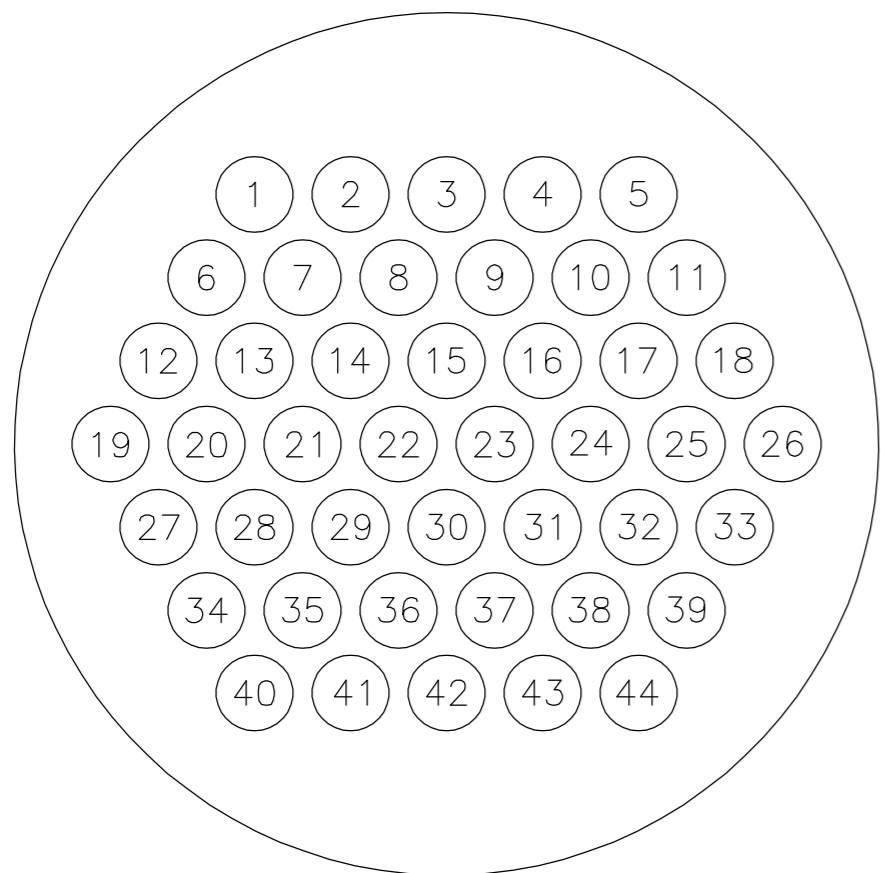


THIS DRAWING IS UNPUBLISHED. RELEASED FOR PUBLICATION
 © COPYRIGHT BY TYCO ELECTRONICS CORPORATION. ALL RIGHTS RESERVED.

LOC		DIST		REVISIONS			
P	LTR	DESCRIPTION	DATE	DWN	APVD		
DF	DO	F	UPDATE PER 0H2Y-0164-04	05-12-04	JDM	MKS	

CONTACT IDENTIFICATION



SECTION A-A

- 1. CONNECTOR BODY AND COUPLING NUT ARE 6061-T6 ALUMINUM, GOLD PLATED PER MIL-G-45204
 INSULATOR MATERIAL IS LIQUID CRYSTAL POLYMER (LCP) PER MIL-M-24519 OR PER ASTM D5138
 RETAINING RING IS STAINLESS STEEL, PASSIVATED PER SAE-AMS-QQ-P-35. O-RING MATERIAL IS NITRILE.
- 2. WIRE TERMINATION: 28 AWG SOLID, 30 AWG STRANDED (STANDARD) WIRE OR SMALLER
- 3. PREVIOUS NANONICS DRAWING NUMBER C66011

THIS DRAWING IS A CONTROLLED DOCUMENT.		DWN	M. STORRY	05-06-97	 Tyco Electronics Corporation Harrisburg, PA 17105	PLUG ASSEMBLY, 44 POSITION, CIRCULAR, NCG SERIES		
DIMENSIONS: INCHES		CHK	E. PAULUS	09-05-97		NAME	SIZE	CAGE CODE
TOLERANCES UNLESS OTHERWISE SPECIFIED:		APVD	M. STORRY	04-24-02		PRODUCT SPEC	SCALE	DRAWING NO
0 PLC ± - 1 PLC ± - 2 PLC ± .010 3 PLC ± .005 4 PLC ± - ANGLES ± 1°		APPLICATION SPEC	RESTRICTED TO			WEIGHT	8:1	SHEET 1 OF 1
MATERIAL SEE NOTE		FINISH SEE NOTE		WEIGHT	-	CUSTOMER DRAWING	REV F	